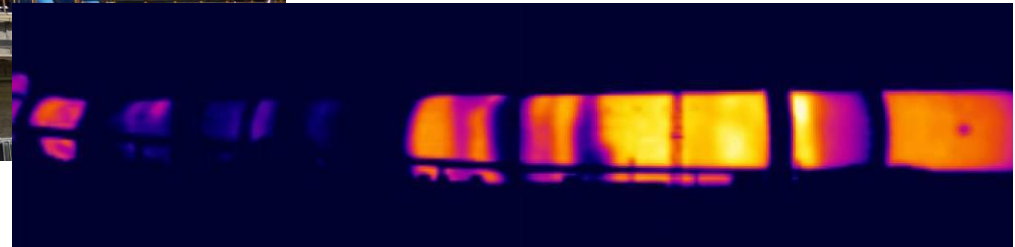
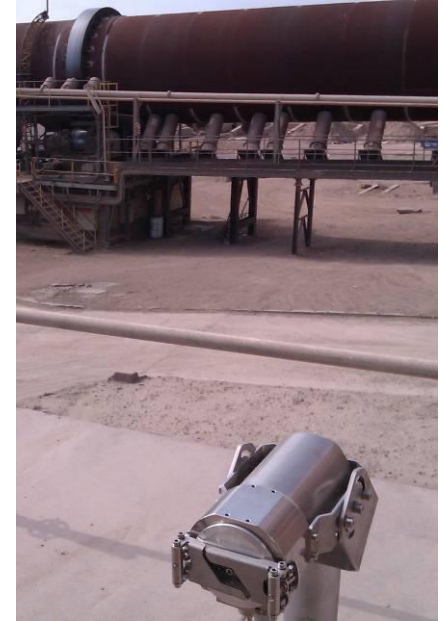


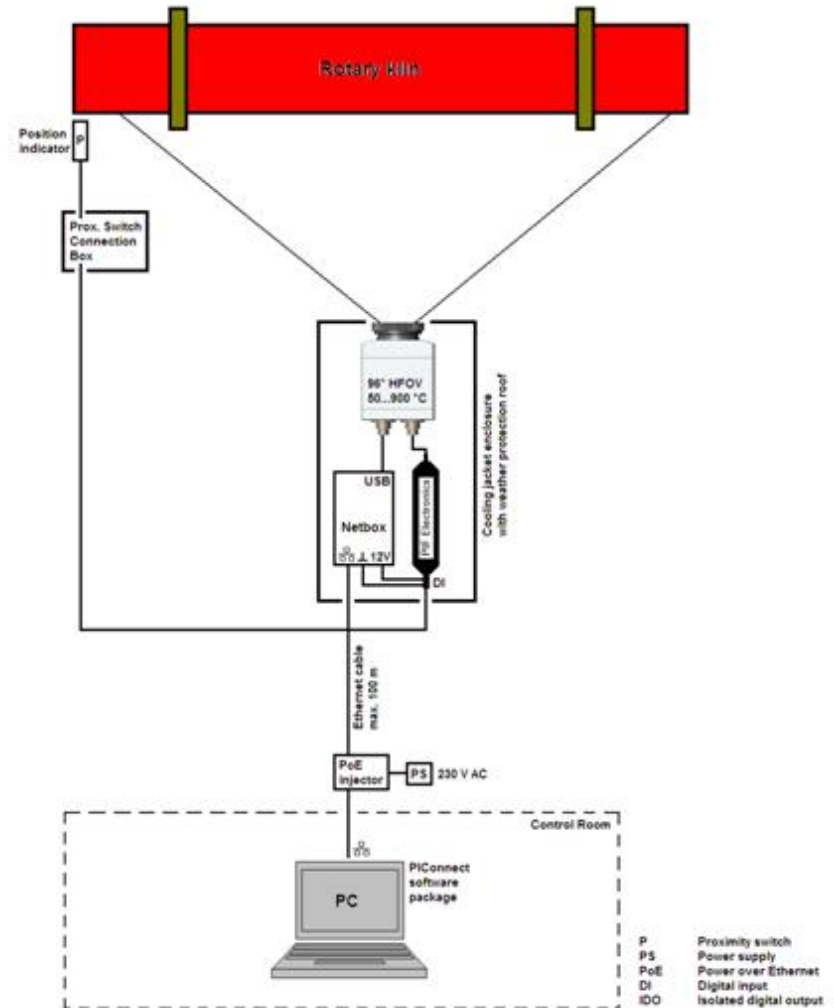
## Thermal Image KilnScanner

- Thermal Image Scanner for rotary kiln inspections



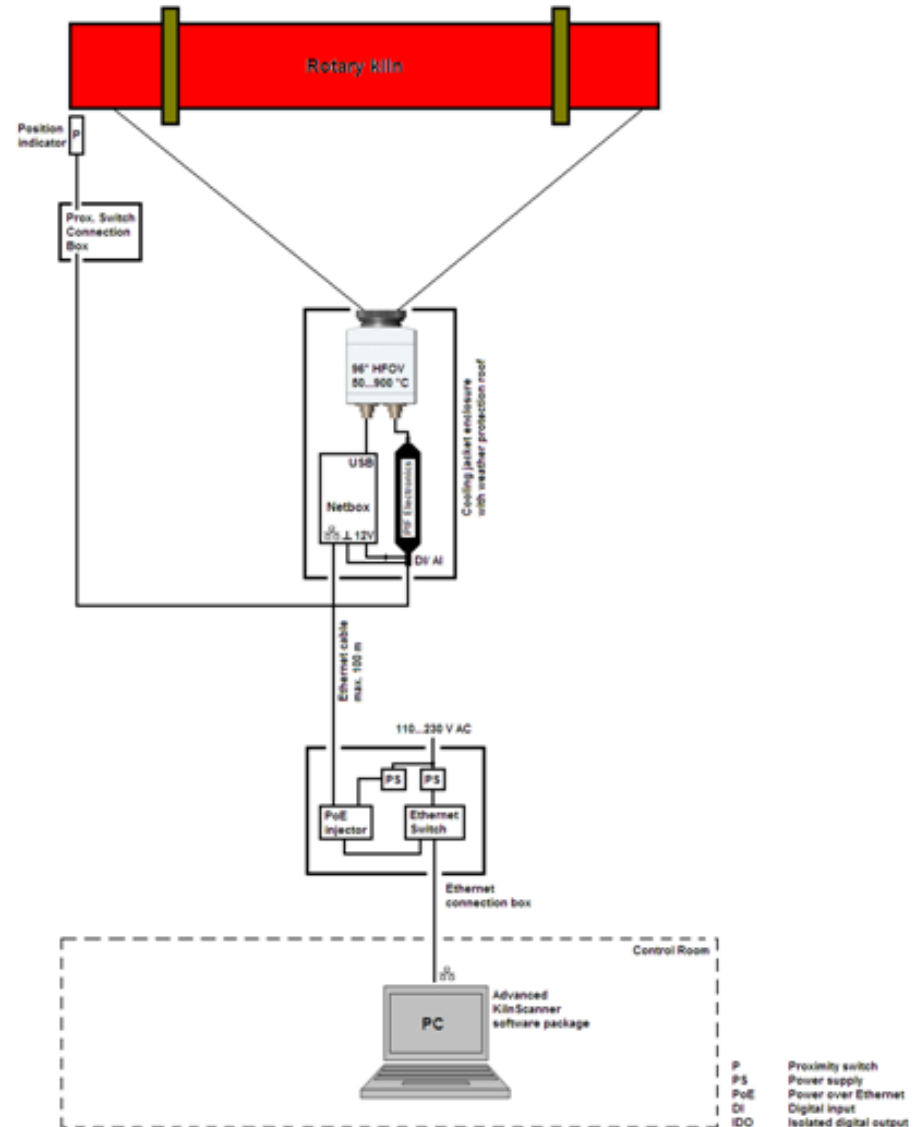
## Timage KilnScanner

- Single camera solution
- Timage, 50-900°C, 96° HFOV
- Timage NetBox
- PIF
- CoolingJacket with weather protection roof
- Position indicator incl. proximity switch connection box
- PoE injector
- Ethernet cables
- Timage Connect software



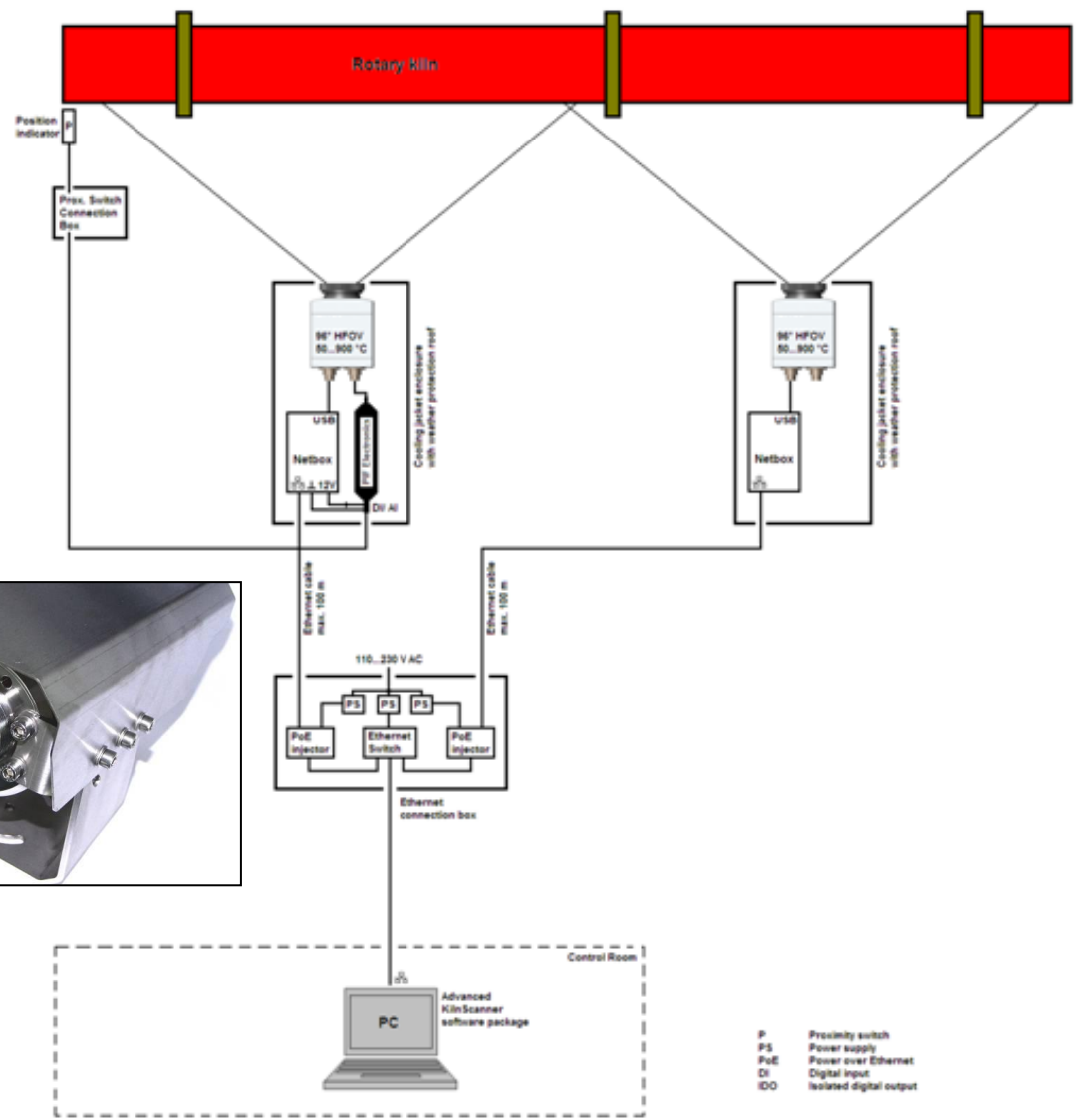
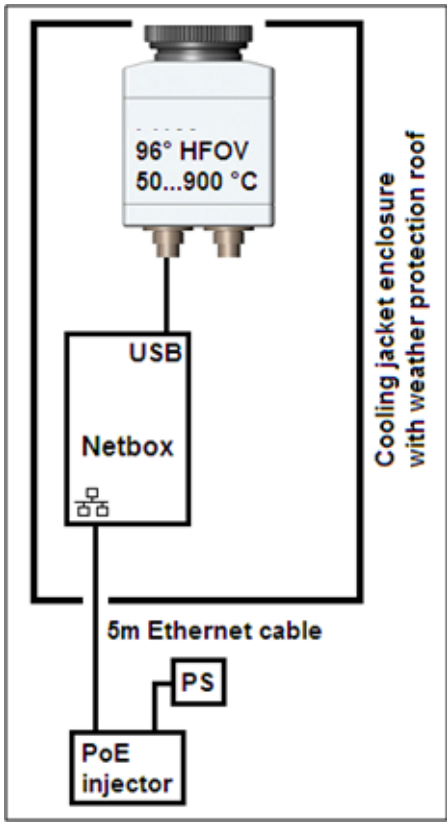
# Timage KilnScanner

- Single camera solution like Basic package plus:
- Ethernet connection box
- Advanced KilnScanner software package
- extendable up to 4 cameras

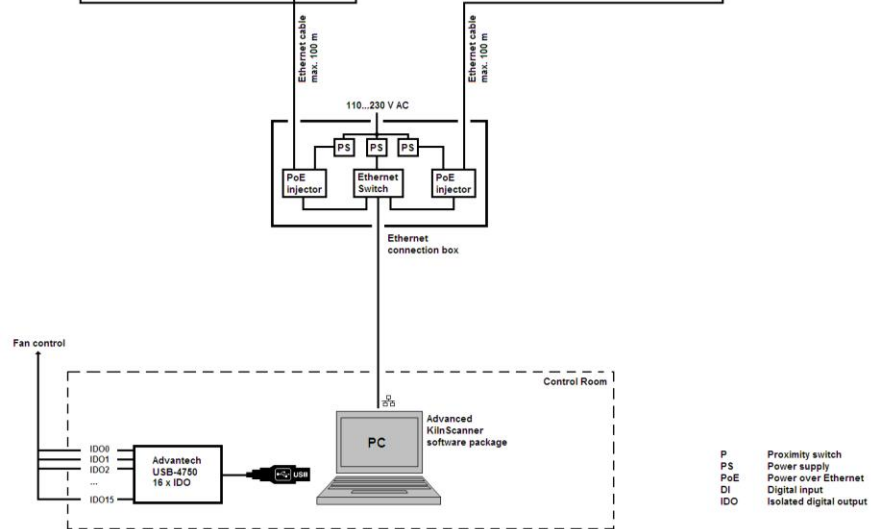
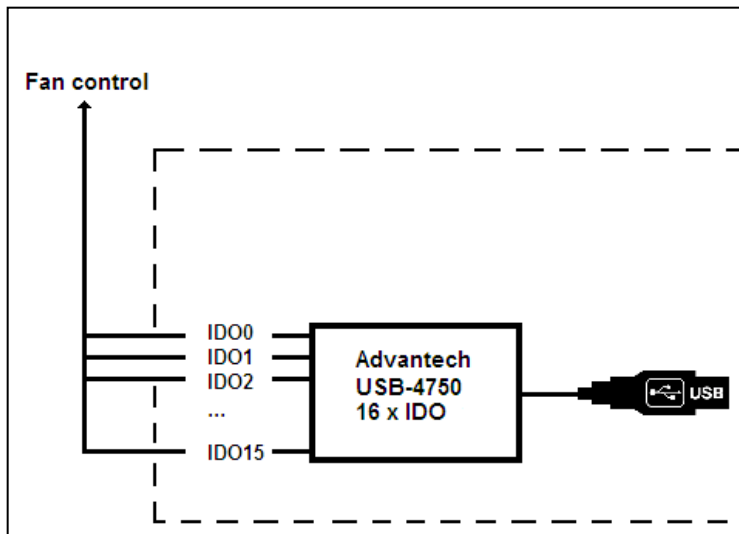
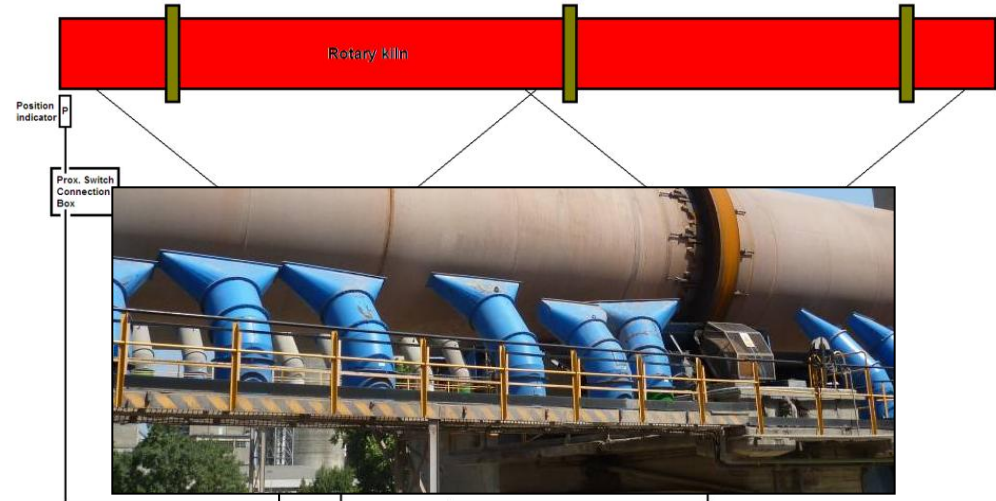


## Timage KilnScanner

- Advanced package + Camera extension



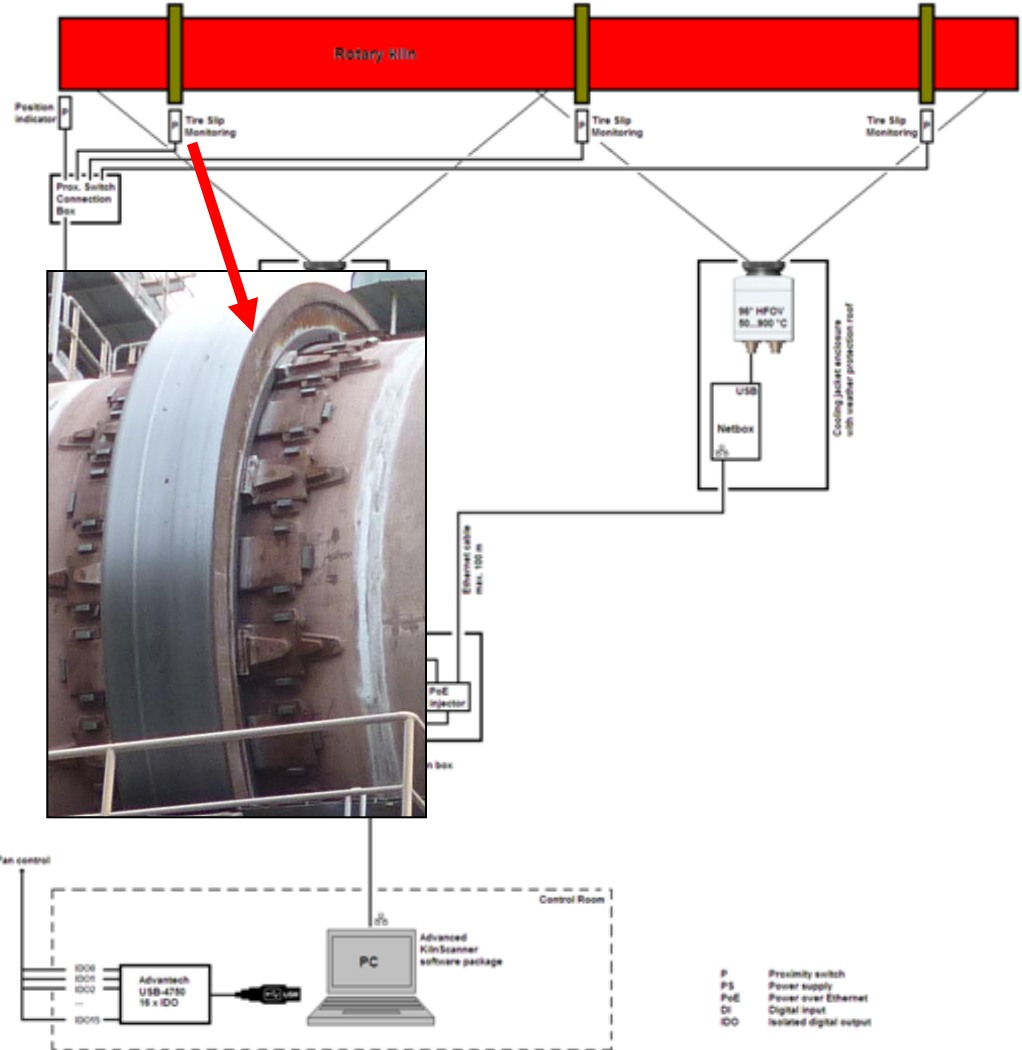
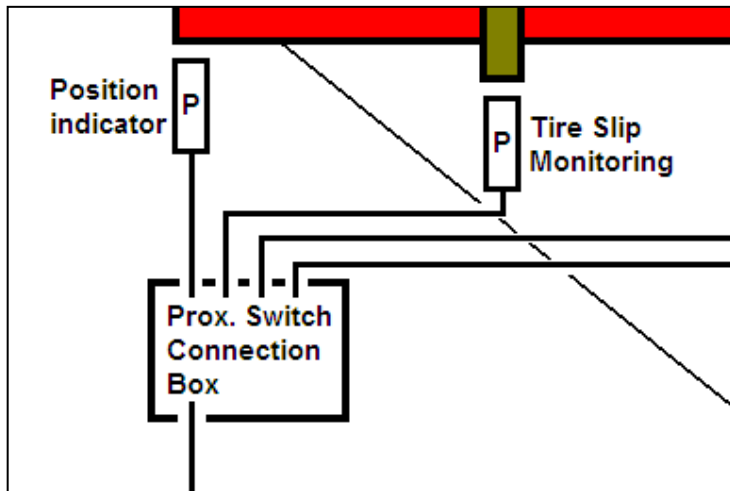
- Advanced package
- + Camera extension kit
- + Fan control



P Proximity switch  
 PS Power supply  
 PoE power over Ethernet  
 DI Digital input  
 IDO Isolated digital output

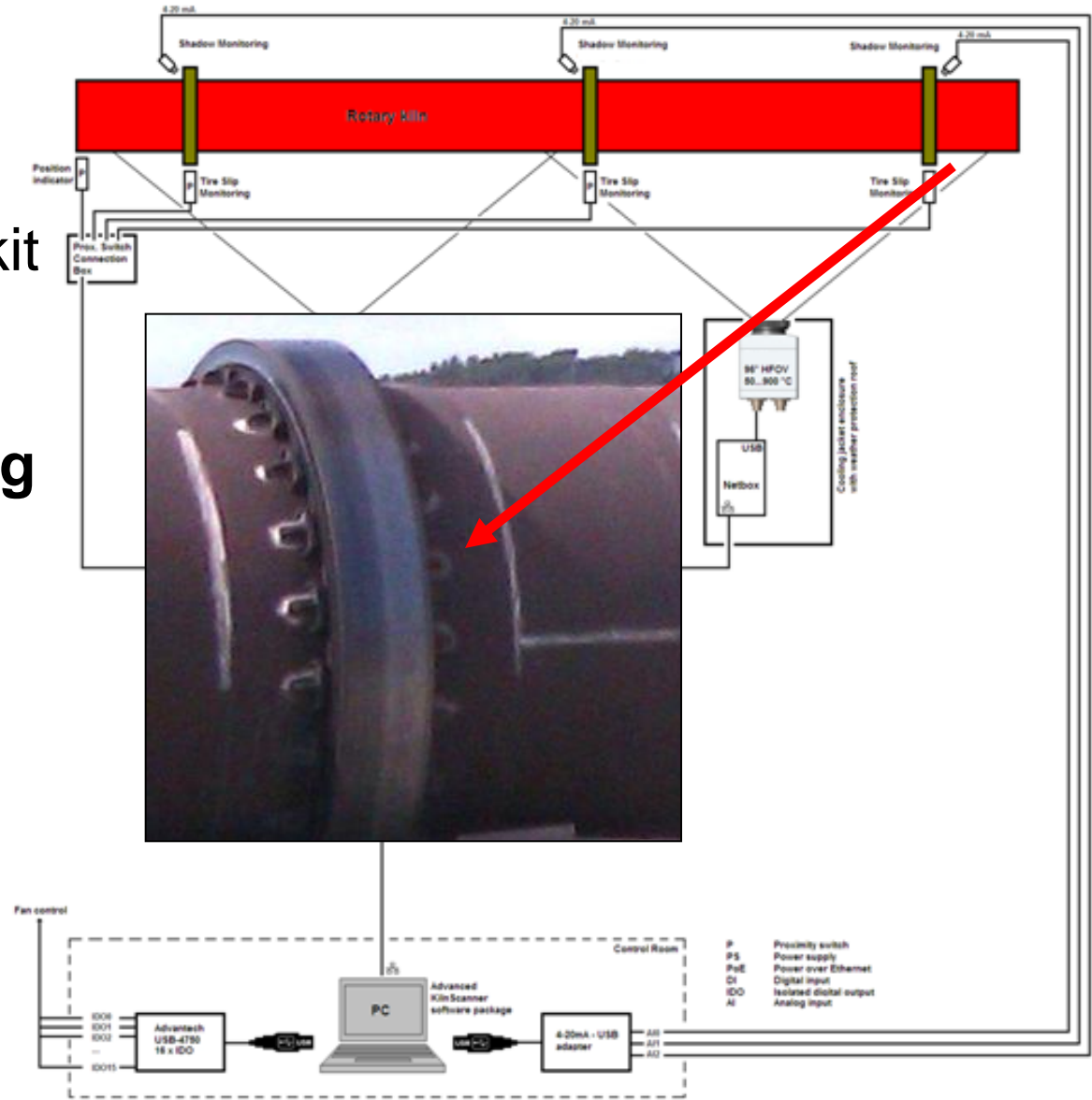
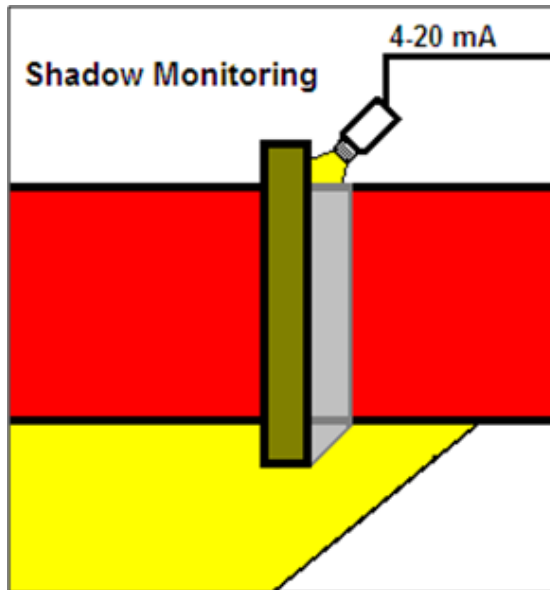
# Timage KilnScanner

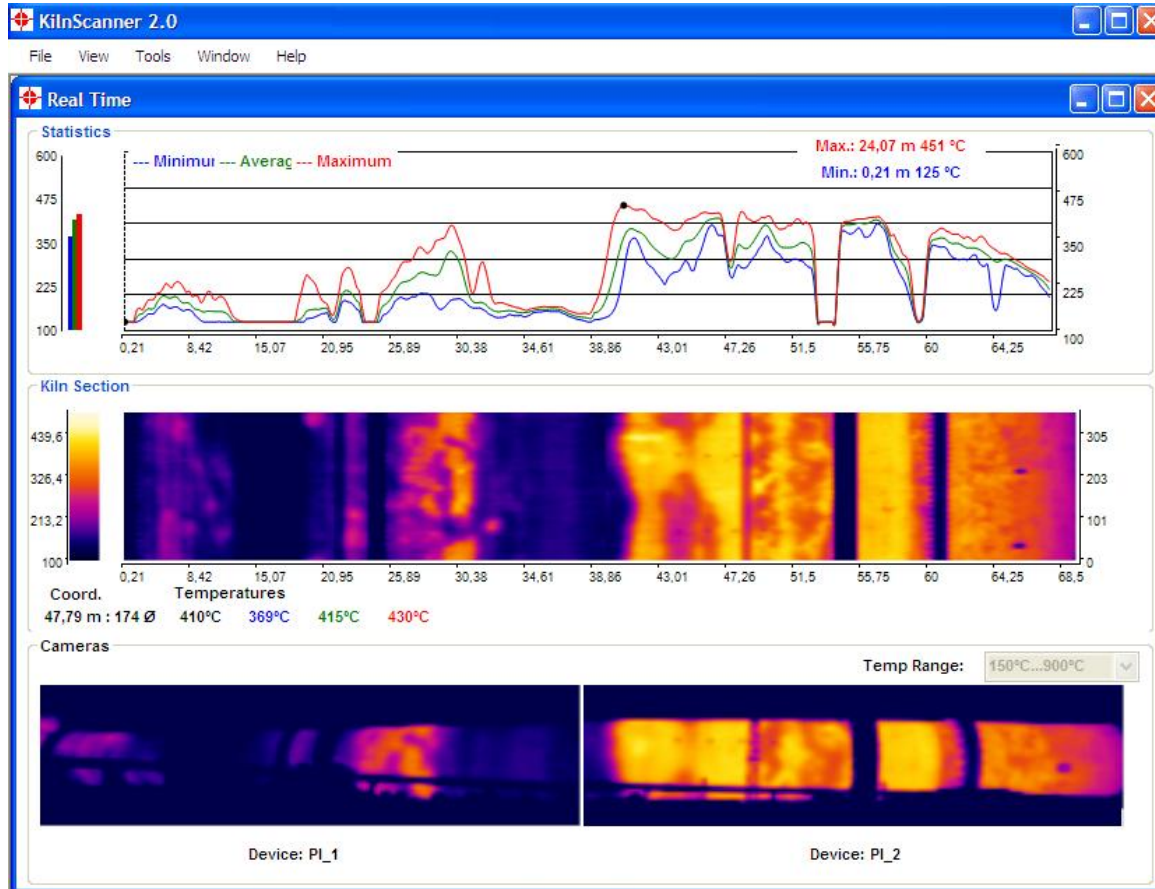
- Advanced package
- + Camera extension kit
- + Fan control
- + **Tire slip monitoring**



# Timage KilnScanner

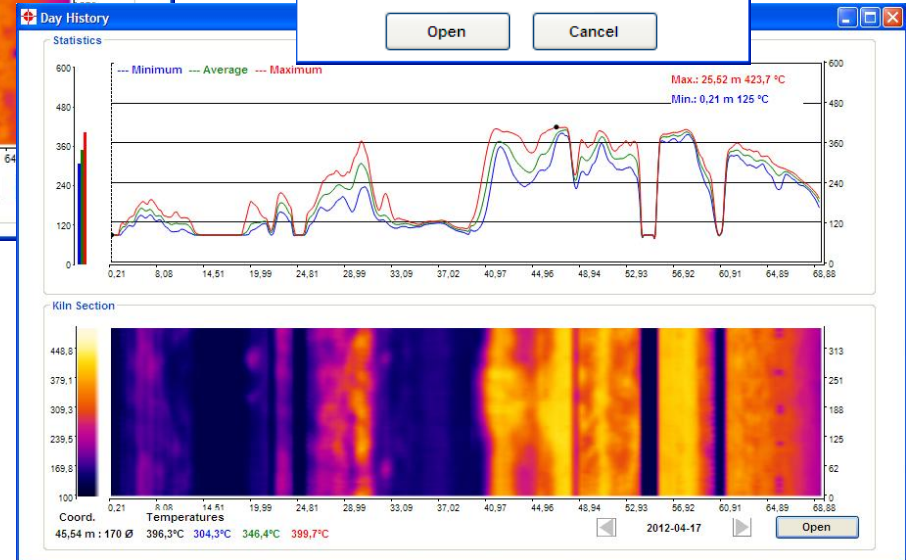
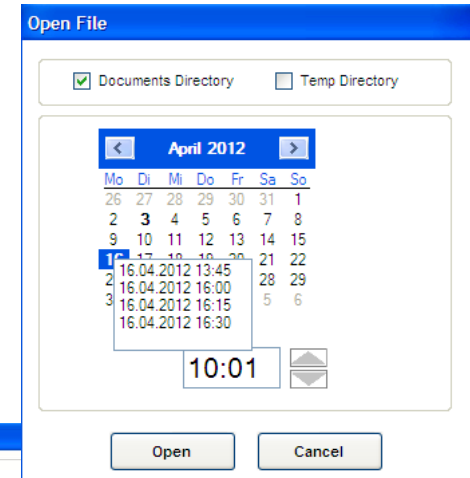
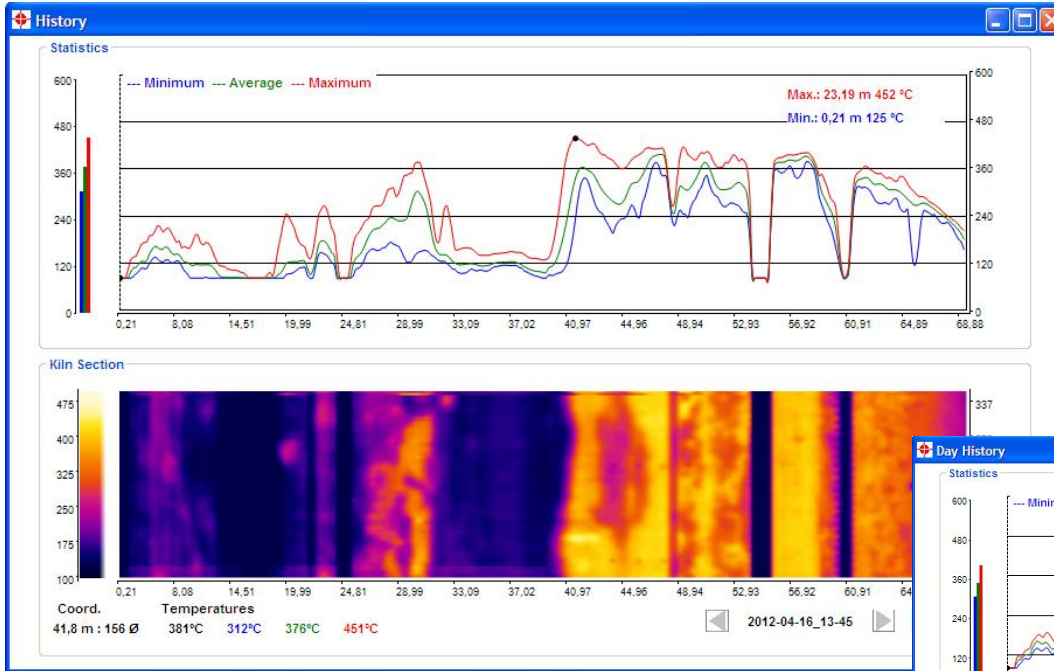
- Advanced package
- + Camera extension kit
- + Fan control
- + Tire slip monitoring
- + **Shadow monitoring**



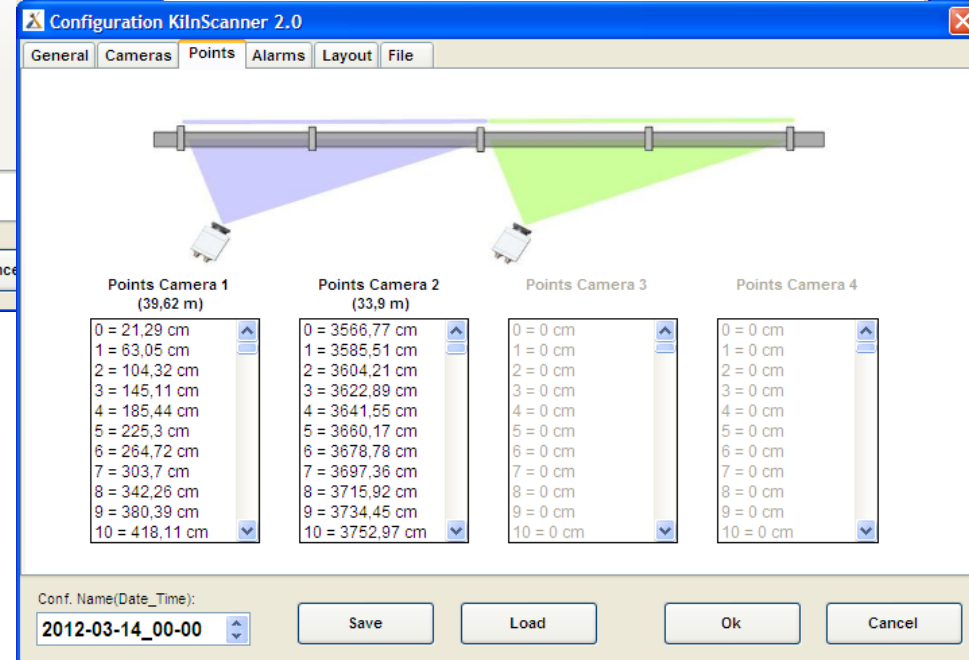
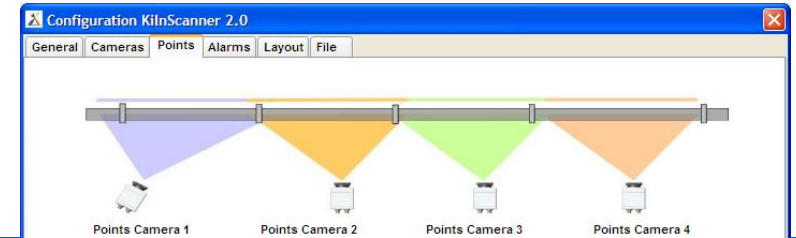
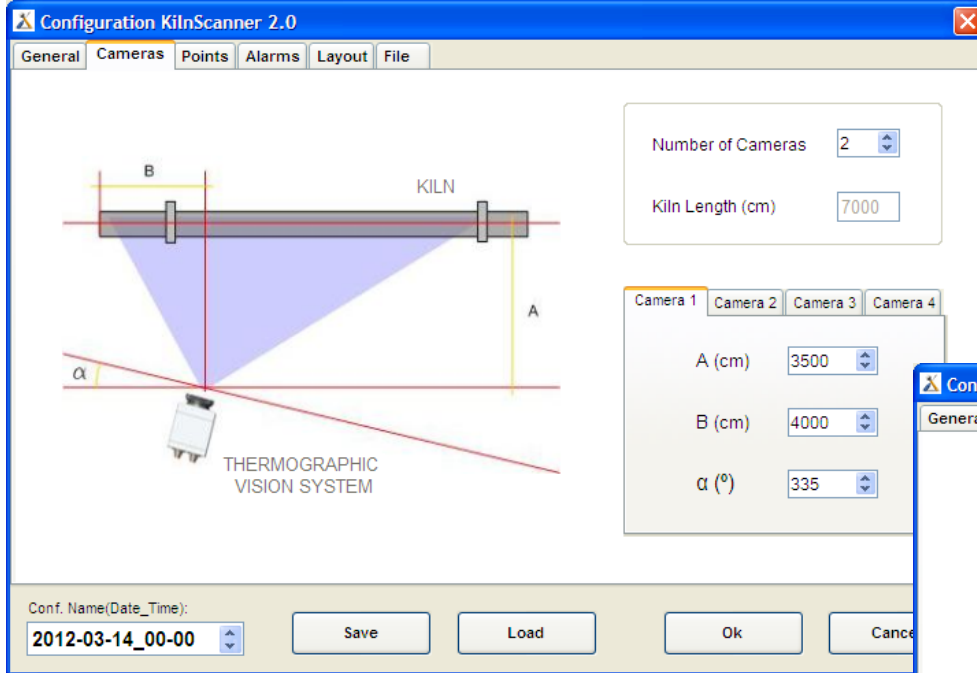


Real time view with automatic snapshots after each revolution



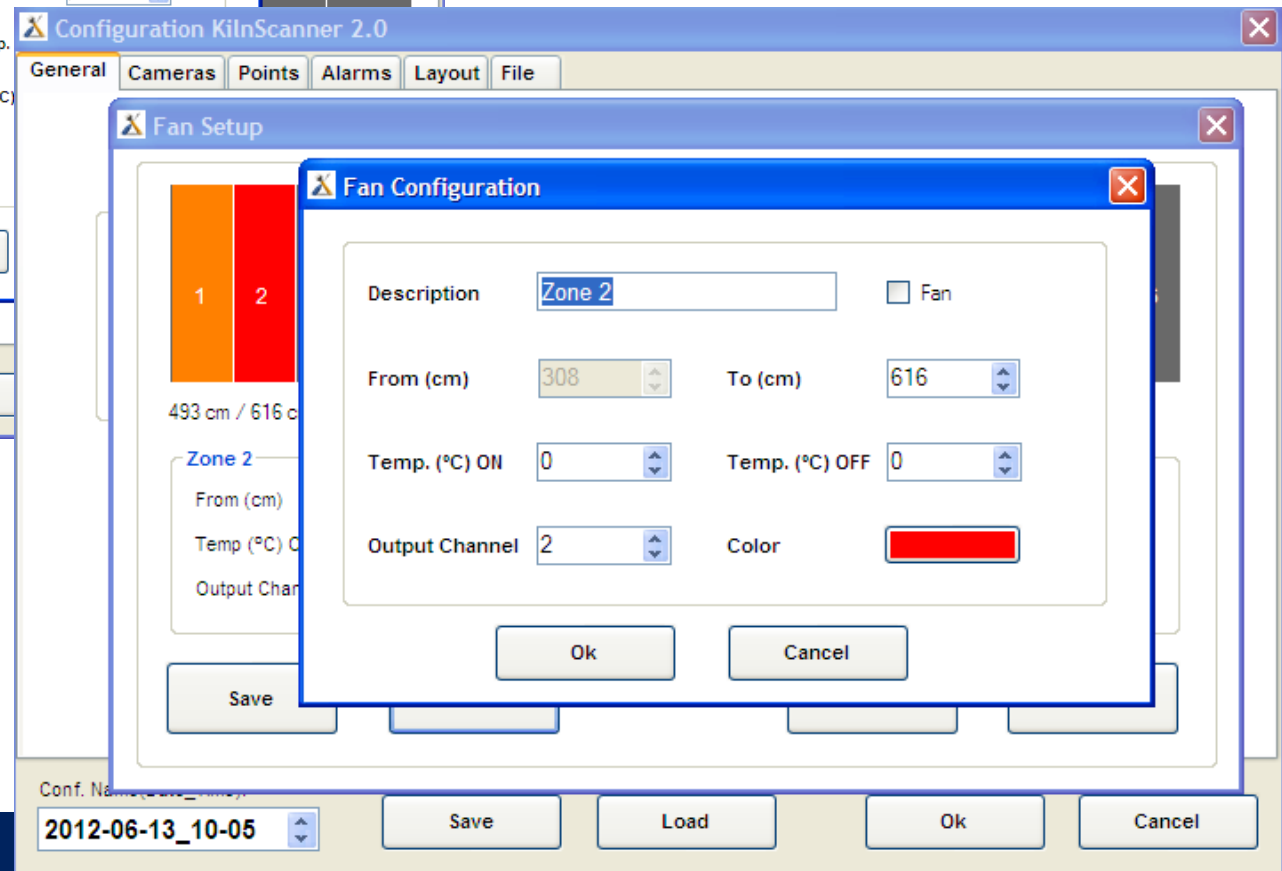
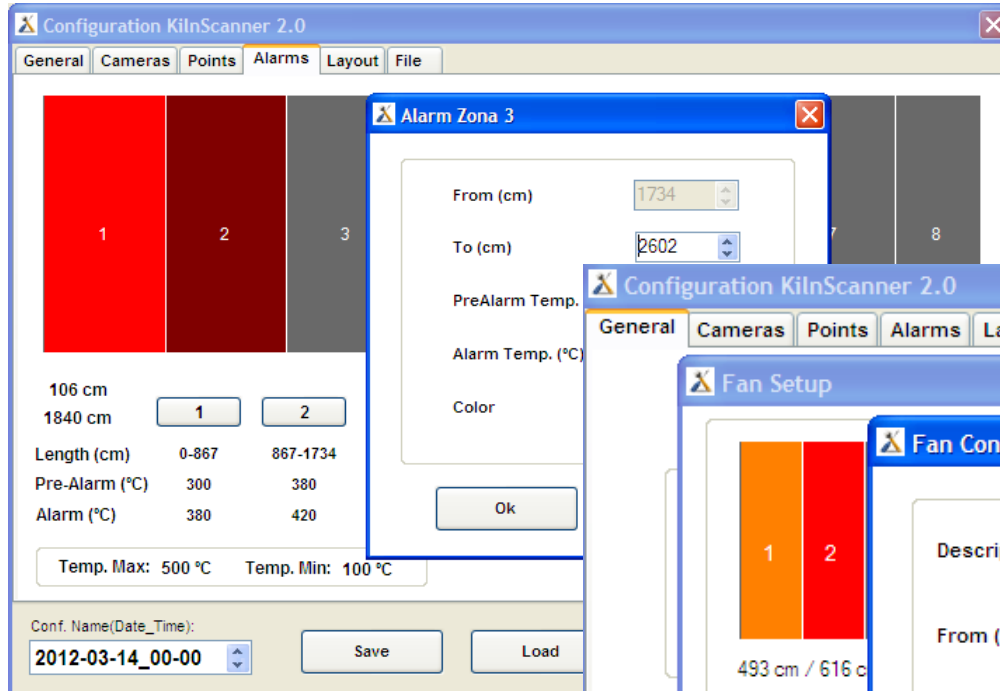


- History and Day history files

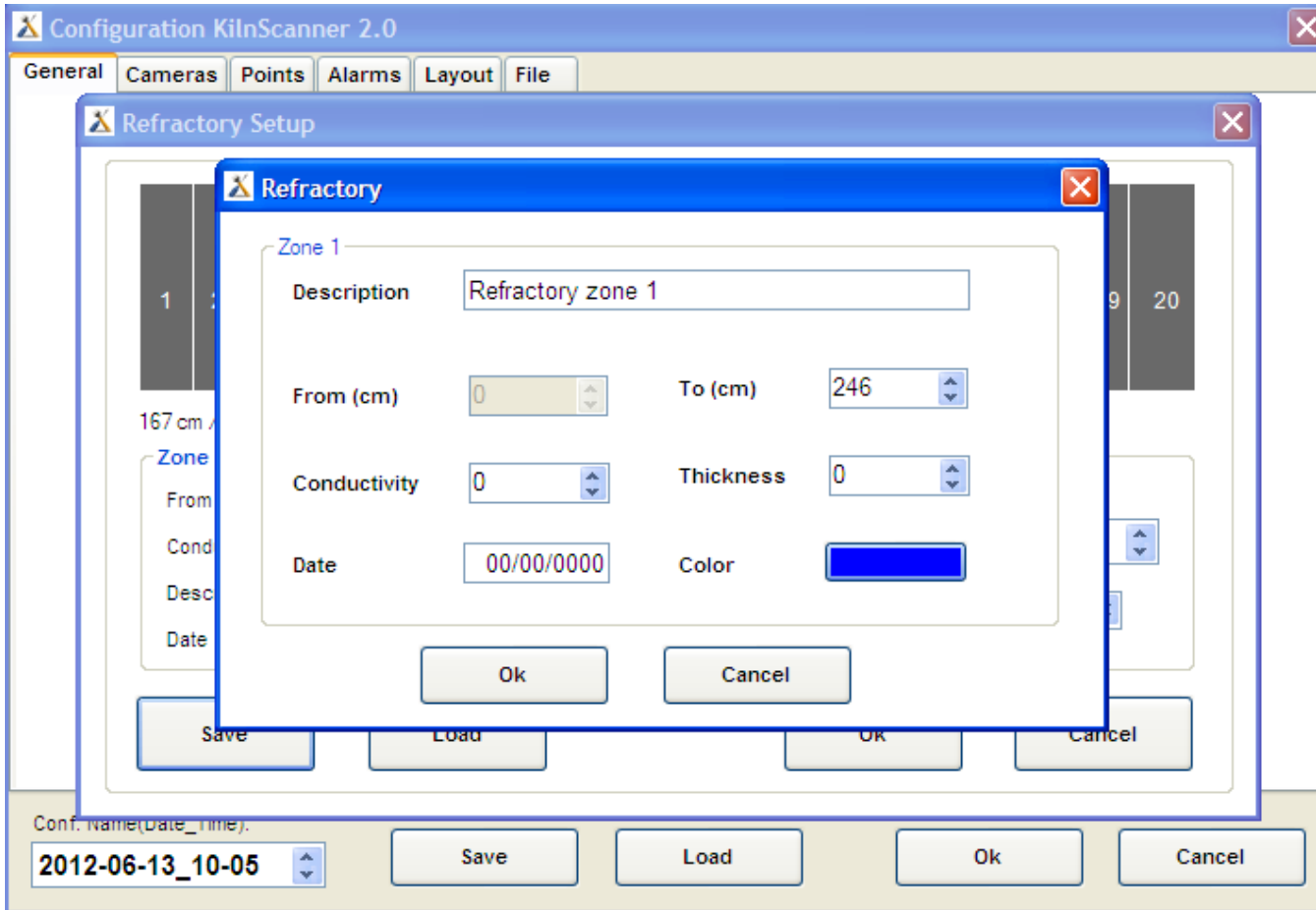


- Configuration of up to 4 cameras

- Setup of 8 alarm zones



- Setup of up to 16 Fan control zones



- Refractory setup: configuration of up to 20 zones

## Timage KilnScanner

	KilnScanner Basic	KilnScanner Advanced	Camera extension kit
Timage 96° HFOV, 50-900°C	✓	✓	✓
PIF (Process interface)	✓	✓	✓
Net Box	✓	✓	✓
Cooling jacket with adjustable mounting bracket	✓	✓	✓
Weather protection roof for Cooling jacket	✓	✓	✓
Position indicator for zero position of kiln	✓	✓	—
PoE injector	✓	✓	✓
Ethernet connection box	—	✓	—
Timage software package	✓	✓	—
KilnScanner 2.0 software package	—	✓	—
Ethernet cable for pre-installation (5m)	2x	2x	1x
<b>Package extensions</b>			
Fan control incl. USB module with 16x isolated DO (Digital Output)	—	□	—
Tire Slip Monitoring incl. 3 proximity switches	—	□	—
Shadow monitoring incl. 3x IR10 814H and 8 channel 4-20mA input module with USB converter	—	□	—

- ✓ included
- optional
- not available

	Focal length	Angle	Minimum distance	Distance to object												
				m	0,02	0,1	0,2	0,3	0,5	1	2	4	6	10	30	100
Ultra	3.3 mm	72°	0.2 m	HFOV [m]	0.029	0.15	0.29	0.44	0.73	1.45	2.91	5.81	8.72	14.5	43.6	145.3
Wide angle lens		52°		VFOV [m]	0.020	0.10	0.20	0.29	0.49	0.98	1.95	3.90	5.85	9.80	29.3	97.5
		96°		DFOV [m]	0.043	0.22	0.43	0.65	1.09	2.17	4.34	8.68	13.02	21.7	65.1	217.0
		9.08 mrad		IFOV [mm]	0.182	0.91	1.82	2.72	4.54	9.08	18.16	36.33	54.49	90.8	272.5	908.2